

All rights reserved by **CNH Industrial**.

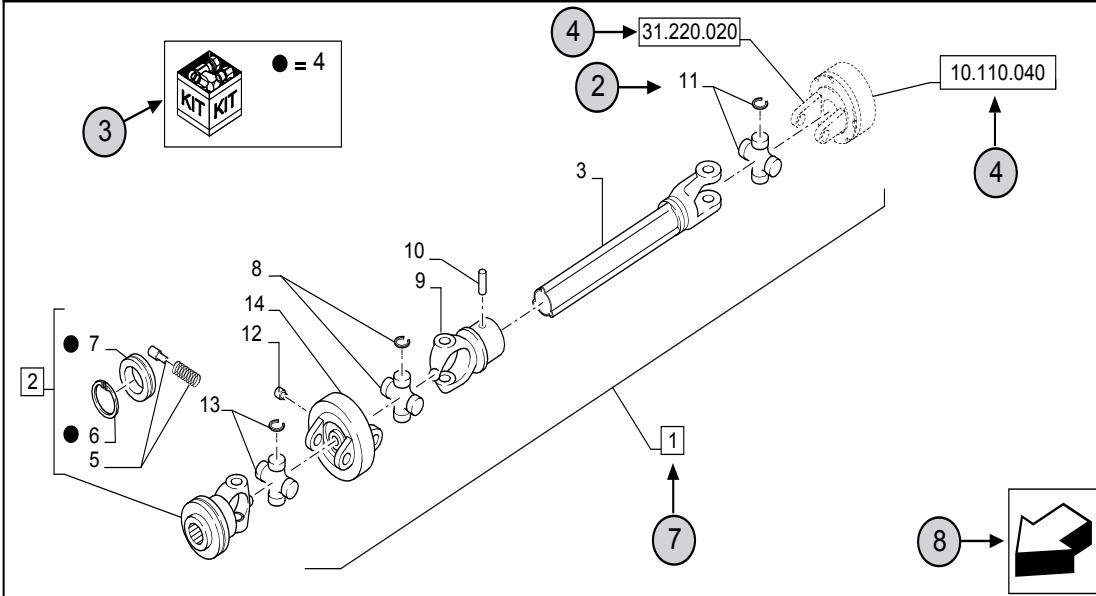
The information contained in this catalogue is intended to be of a general nature only. **CNH Industrial** may at any time and from time to time, for technical or other necessary reasons, modify any of the details or specifications of the product described in this catalogue.

To be sure of getting accurate, detailed and up-to-date information, an intending buyer should consult his nearest **CNH Industrial** dealer or distributor.

Single item numeration method used in this catalogue may not be used without written consent from **CNH Industrial**

31.220.010	01	p1	10/2014
------------	----	----	---------

VAR - 123782, 789101,987654 - PTO - D650



STANDARD ← (6)

(23)	(9)	(10)	31.220.010	01	p1	10/2014
------	-----	------	------------	----	----	---------

VAR - 123782, 789101,987654 - PTO - D650

(11) (12) (13) (14)

REF	FN	PART NUMBER	YR/SN	QTY	DESCRIPTION
1	1	86529340	(20)	1	SHAFT PTO, Incl 2 - 11
2	(15)	84014007		1	YOKE, Incl 4 - 7 ← (7)
3	(16)	NSS		1	NOT SERVICED SEPARATELY, SHAFT, 350mm, Incl in 1
4		84004292		1	KIT, Seal Kit, Incl 6, 7 (17)
4		{84058743}		1	KIT, Seal Kit, Incl 6, 7
(2)	(18)	(19)		(21)	(22)
		1 = FOR ITALY ONLY ← (5)			

MODELS ← (1)


- 1 Model Number and Model Description
- 2 Reference - Figure call-out of the part number.
- 3 Parts supplied in repair kits per symbol reference.
- 4 31.220.020 Part illustrated on the **Page** or in the **Figure** indicated, or calls for **Variations** or **Details**. Indicates components shown in detail elsewhere in the catalogue under the figure number shown.
- 5 Footnote references
- 6 Figure notes
- 7 1 2 Includes item(s) (See Description within partlist).
- 8 Orientation. (Arrow indicates front of the machine). 
- 9 Figure description.
- 10 General information of the figure.
- 11 Figure title number that aligns with the SRT. Standard Repair Time.
- 12 **Sequence** code within the assembly.
- 13 Page number within the sequence code.
- 14 **Date** of printing or updating of page (month-year).
- 15 **Note** - Relating to the Part Number. There is a key to symbols and abbreviations at the bottom of the text page.
- 16 Non-serviced parts.
- 17 Further description of the part to help confirm identification.
- 18 Not available as service part.
- 19 Part Number.
- 20 To be defined.
- 21 Total **Quantity** of the Part referred to in the page.
The quantity can be replaced by the following indications:
AR = quantity as requested.
- 22 Part **Description**.
- 23 Variant Codes

TABLE OF CONTENTS

05.100.01		INITIAL STOCKING LIST (LIST A)
05.100.02		INITIAL STOCKING LIST (LIST B)
05.100.03		FILTER & CAPACITIES, TZ24DA
05.100.03	01	FILTER & CAPACITIES, TZ18DA
05.100.03	01	FILTERS
05.100.03	01	FILTERS
05.100.03	02	CAPACITIES
20.01		INITIAL STOCKING LIST (ISL)
01.01		CYLINDER BLOCK
01.02		CAMSHAFT & OIL PUMP
01.03		CYLINDER HEAD
01.04		CRANKSHAFT & PISTONS
01.05		TIMING GEAR CASE
01.06		WATER PUMP & FAN
01.07		ALTERNATOR
01.08		STARTING MOTOR
01.09		INJECTION PUMP & LINES
01.09.01		INJECTION PUMP ASSEMBLY
01.09.02		FUEL INJECTOR ASSY.
01.10		HST COOLING FAN & DRIVESHAFT
01.10.01		HST-FAN GUARD KIT 87390851
02.01		RADIATOR & BATTERY
02.02		FUEL TANK & RELATED PARTS
02.03		AIR CLEANER & MUFFLER
02.04		KIT FUEL FILTER O-RING
03.01		FWD, STANDARD
03.02		FWD, AUTOMATIC
03.03		REAR TRANSMISSION CASE & SHIFTER
03.05		HST DRIVE
03.05.01		HST
03.06		PTO GEARS
03.07		MID PTO GEARS 4WD, W/ HST
03.09		HST CONTROL; PEDALS, LINK
03.10		CRUISE CONTROL KIT - 718270026 & 718270036
03.11.01		CONTROL LEVERS, RH
03.11.02		CONTROL LEVERS, LH

TABLE OF CONTENTS

03.12	BRAKE PEDALS
03.13	AERATION KIT
04.01	MAIN FRAME
04.02	FRONT AXLE W/ POWER STEERING
04.04	STEERING, STEERING COLUMN & HAND THROTTLE
04.05	POWER STEERING CYLINDER
04.06	POWER STEERING CONTROL VALVE
05.01.01	BRAKE & WHEEL SHAFT CASE, LH
05.01.02	BRAKE & WHEEL SHAFT CASE, RH
05.03	DIFFERENTIAL GEARS
06.01	WIRING HARNESS
06.02	OHIO LIGHT KIT - 719588006
06.04	DASHBOARD
06.05	WORKLIGHTS - FENDER MOUNTED
06.06	WORKLIGHT KIT - ROPS MOUNTED
07.01	HYDRAULIC LIFT COVER & ARMS
07.02	MID-MOUNT HYDRAULIC CONTROL VALVE KIT (TZ18DA,TZ22DA,TZ24DA,TZ25DA,T1010,T1030,BOOMER 1020 & 1025) - 710440086
07.02.01	MID-MOUNT HYDRAULIC CONTROL VALVE
07.02.02	MOUNTING KIT FOR 2 SPOOL VALVE WHEN NOT USING LOADER - 710330026
07.02.03	JOYSTICK CONTROL
07.04	HYDRAULIC PUMP & PIPING
07.04.01	HYDRAULIC PUMP
07.04.02	CONTROL VALVE
07.04.03	PRESSURE RELIEF VALVE
07.05	SELF CENTERING REAR REMOTE VALVE KIT - 710366116
07.06	HYDRAULIC TUBING FOR REAR MOUNTED COUPLERS - 718446006
07.07	HYDRAULIC TUBING FOR FRONT MOUNTED COUPLERS - 718447006
08.01	FENDER
08.02	HOOD & RELATED PARTS
08.03	GRILLE GUARD KIT - 719849076
09.01	THREE POINT LINKAGE
10.01	SEAT, ARMREST KIT & TOOLBOX
10.03	STEP & FLOOR MATS
10.04	ROLL BAR & RELATED PARTS
11.01	FRONT & REAR WHEELS
11.03	FRONT END WEIGHTS

TABLE OF CONTENTS

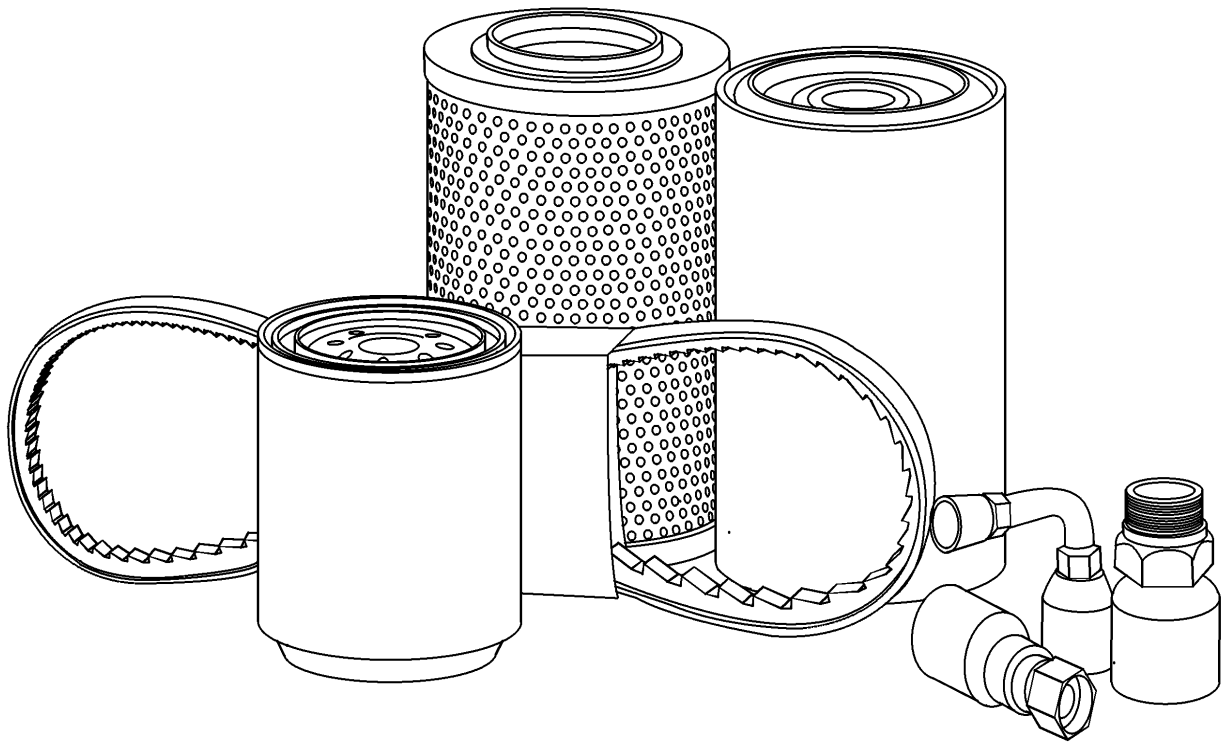
11.04	REAR WHEEL WEIGHTS - 75 LBS TR77D6700
11.05	FRONT END CARRIER - 718233006
11.06	REAR COUNTERWEIGHT BRACKET - 718740016
14.01	DECALS
14.02	FRENCH LANGUAGE OPERATOR'S MANUAL & SAFETY DECALS - 719184006
18.01	BALLAST BOX - 715655006
88.088.01	DIA KIT, FOPS CANOPY CIH CL 0.5

SECTION INDEX

GENERAL

05.100.01		INITIAL STOCKING LIST (LIST A)
05.100.02		INITIAL STOCKING LIST (LIST B)
05.100.03		FILTER & CAPACITIES, TZ24DA
05.100.03	01	FILTER & CAPACITIES, TZ18DA
05.100.03	01	FILTERS
05.100.03	01	FILTERS
05.100.03	02	CAPACITIES
20.01		INITIAL STOCKING LIST (ISL)

INITIAL STOCKING LIST (LIST A)

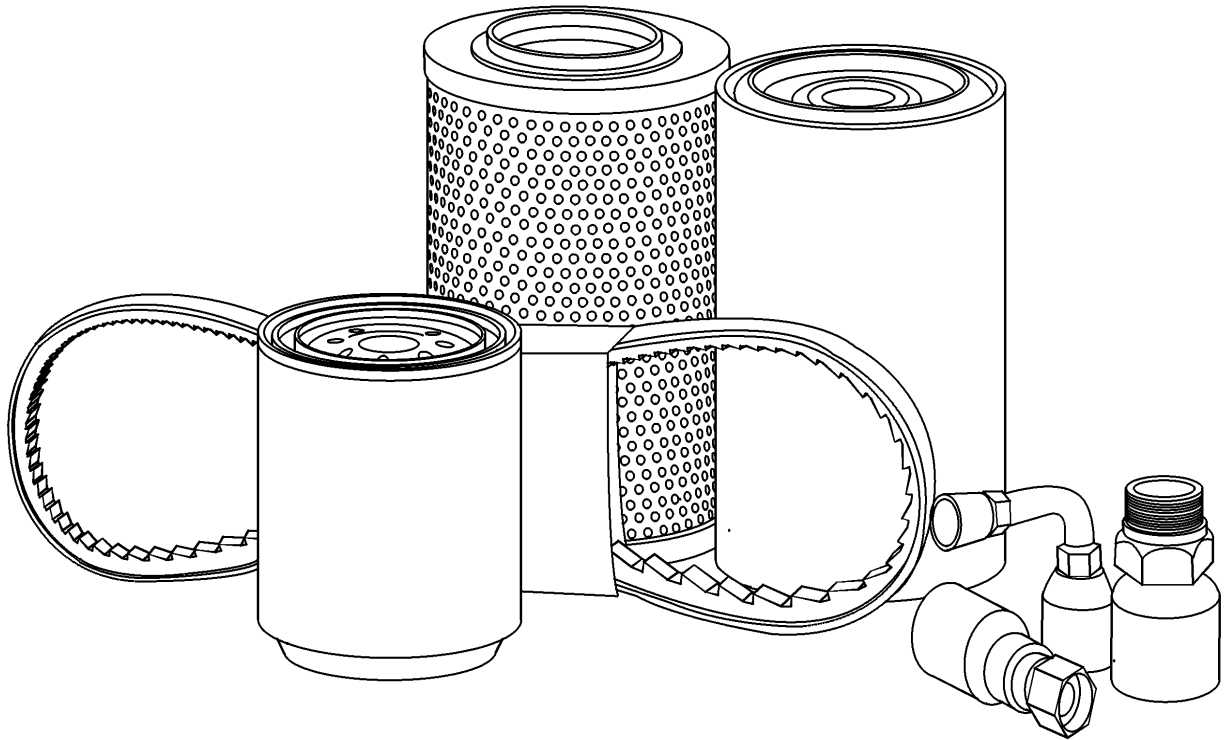


INITIAL STOCKING LIST (LIST A)

REF FN	PART NUMBER	YR/SN	QTY DESCRIPTION
	87415600		1 ENGINE OIL FILTER Spin-On
	87300039		1 FUEL FILTER Element
	SBA360720070		1 FUEL FILTER In-Line
	SBA314531174		1 AIR FILTER Outer
	SBA314531175		1 AIR FILTER Inner
	SBA340501030		1 FILTER W/Bypass
	SBA340500980		1 HYDRAULIC OIL FILTER W/Bypass
	83912298		1 FILTER Spin-On (Pump)
	SBA080109049		1 BELT Fan
	SBA185366190		1 GLOW PLUG
	SBA145206022		1 THERMOSTAT
	SBA185246060		1 SENDER UNIT Engine Oil Pressure
	SBA385230300		1 RELAY Safety

TZ18DA-3 CYL COMPACT TRACTOR TZ24DA-3 CYL COMPACT TRACTOR

INITIAL STOCKING LIST (LIST B)

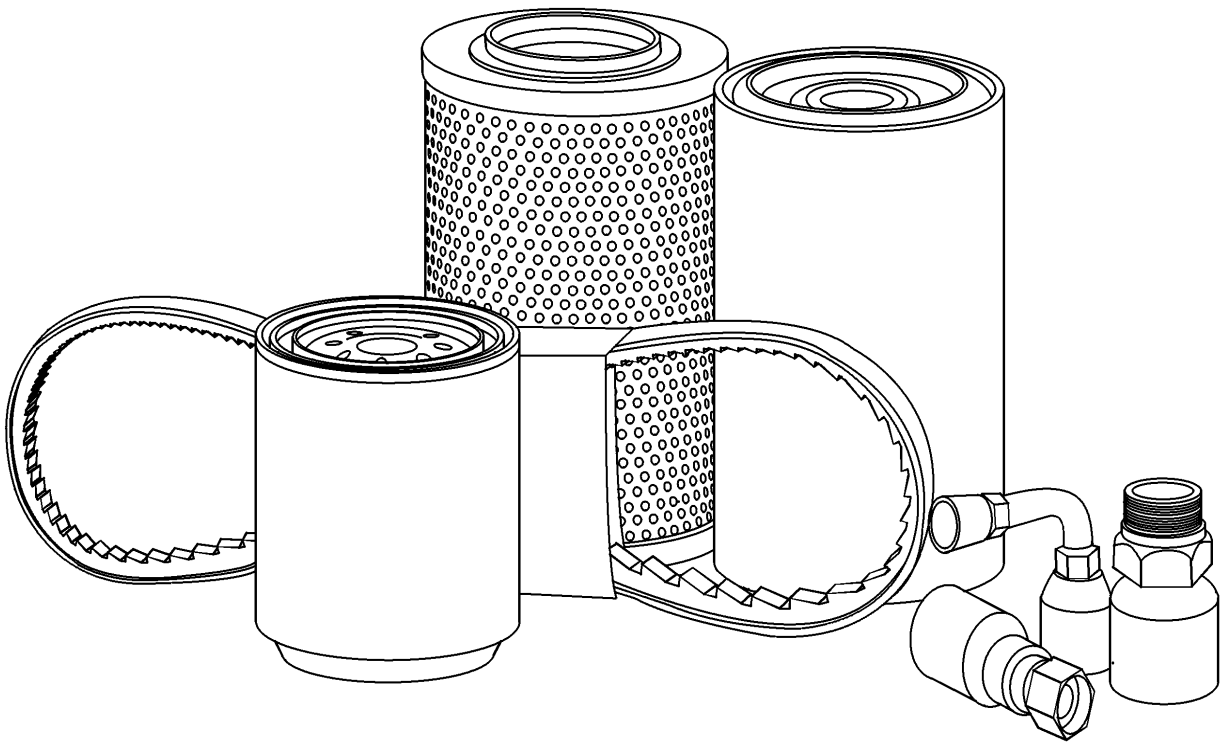


INITIAL STOCKING LIST (LIST B)

REF FN	PART NUMBER	YR/SN	QTY DESCRIPTION
.	SBA485220180		1 SWITCH Start, Safety Brake
.	SBA485220181		1 SWITCH Start, Safety Brake
.	{ }		USED BEFORE PIN HB10004 TZ18DA & HC10009 TZ24DA
.	SBA385202601		1 IGNITION SWITCH Engine Start
.	SBA385210370		1 IGNITION KEY Ignition Switch, Branded
.	SBA385200730		1 SWITCH Range Gear Safety
.	SBA310110200		1 CAP COVER Radiator
.	SBA360300140		1 CAP Fuel
.	SBA312070220		1 FLEXIBLE CABLE Hand Throttle
.	SBA385200891		1 SWITCH PTO Engagement Safety
.	SBA385620380		1 DIODE Double
.	SBA398210290		1 SPRING Brake
.	SBA310161431		1 HOSE Lower Radiator
.	SBA310161710		1 HOSE Upper Radiator
.	9847313		4 BULB #894, 12V, 37.5W Hood

TZ18DA-3 CYL COMPACT TRACTOR TZ24DA-3 CYL COMPACT TRACTOR

FILTER & CAPACITIES, TZ24DA

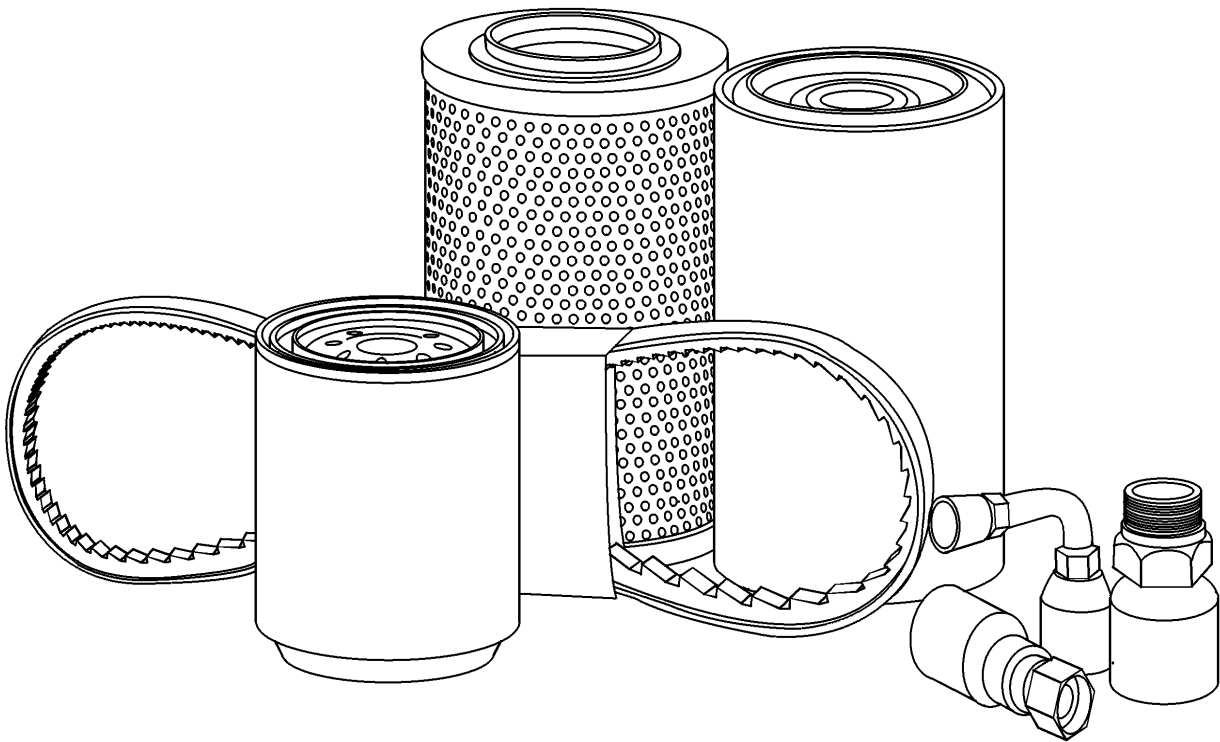


FILTER & CAPACITIES, TZ24DA

REF FN	PART NUMBER	YR/SN	QTY DESCRIPTION
*	CNH XHD COOLANT		ANTIFREEZE Coolant, 3.7-Gal (14L)
*	CNH XHD COOLANT		ANTIFREEZE Coolant, 3.7-QT (3.5L)
1	84475542		1 ENGINE OIL FILTER Engine Oil
*	M-GOLD SAE10W30		OIL Engine, 10W30 4.24-QT (4L)
*	M-GOLD SAE10W30		OIL Engine, 3.5-QT (3.3L)
2	SBA314531174		1 AIR FILTER Engine
3	SBA314531175		1 AIR FILTER Engine
4	84401812		1 HYDRAULIC OIL FILTER Hydraulic
5	SBA340501030		2 FILTER With Hydrostat
*	MULTI G 134		OIL Rear Axle & Transmission, 134D 13.8-QT (13.1L)
6	SBA360720130		1 ELEMENT Fuel
*	MULTI G 134		OIL Front Axle, Hubs, 134D 2.12-QT (2L)

TZ24DA-3 CYL COMPACT TRACTOR

FILTER & CAPACITIES, TZ18DA

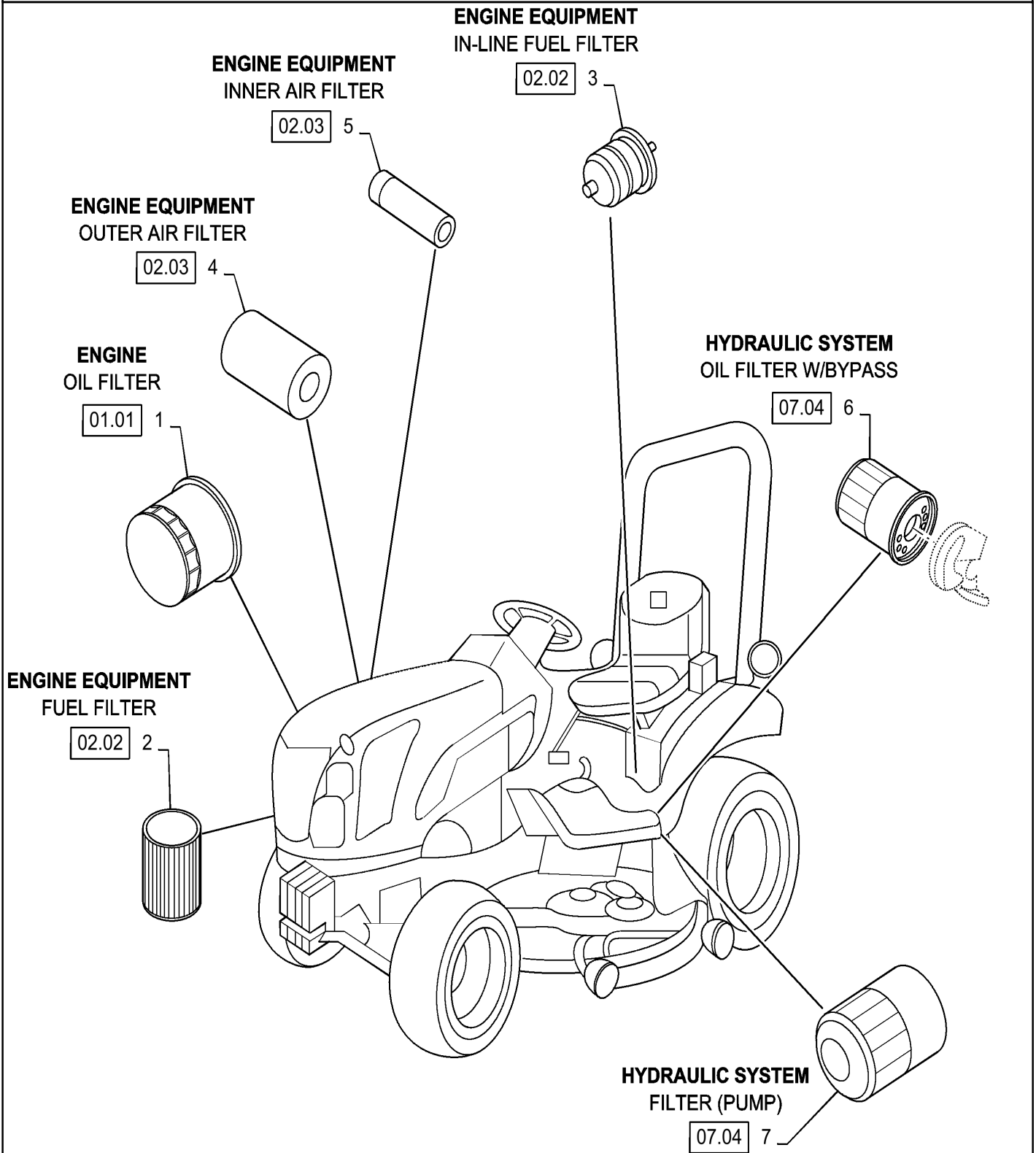


FILTER & CAPACITIES, TZ18DA

REF FN	PART NUMBER	YR/SN	QTY DESCRIPTION
*	CNH XHD COOLANT		ANTIFREEZE Coolant, 3.7-Gal (14L)
*	CNH XHD COOLANT		ANTIFREEZE Coolant, 3.7-QT (3.5L)
1	84475542		1 ENGINE OIL FILTER
*	M-GOLD SAE10W30		OIL Engine, 10W30 4.24-QT (4L)
*	M-GOLD SAE10W30		OIL Engine, 3.5-QT (3.3L)
2	SBA314531174		1 AIR FILTER Engine
3	SBA314531175		1 AIR FILTER Engine
4	84401812		1 HYDRAULIC OIL FILTER
5	SBA340501030		2 FILTER With Hydrostat
*	MULTI G 134		OIL Rear Axle & Transmission, 134D 13.8-QT (13.1L)
6	SBA360720130		1 ELEMENT Fuel
*	MULTI G 134		OIL Front Axle, Hubs, 134D 2.12-QT (2L)

TZ18DA-3 CYL COMPACT TRACTOR

FILTERS



Verified by Service Engineering ✓

05.100.03

01

p1

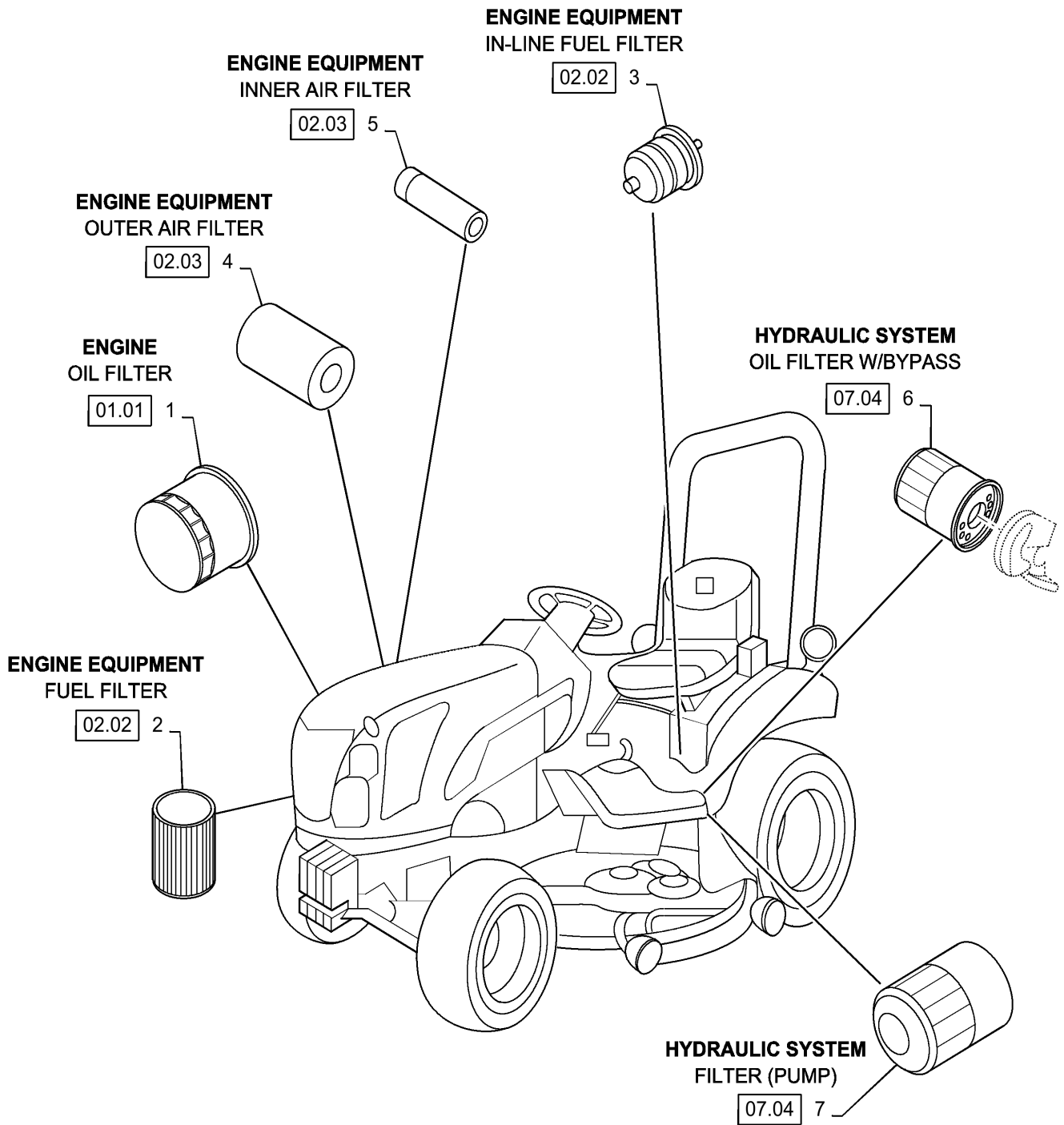
3/2018

FILTERS

REF FN	PART NUMBER	YR/SN	QTY DESCRIPTION
1	87415600		1 ENGINE OIL FILTER Spin-On
2	87300039		1 FUEL FILTER Kit, 47720060 Contains This Filter and one each of O-ring SBA052100100 And SBA052100400
3	SBA360720070		1 FUEL FILTER In-Line
4	SBA314531174		1 AIR FILTER Outer
5	SBA314531175		1 AIR FILTER Inner
6	SBA340501030		1 FILTER W/Bypass
6	SBA340500980		1 HYDRAULIC OIL FILTER W/Bypass, For Cold weather Operation
7	83912298		1 FILTER Pump

TZ18DA-3 CYL COMPACT TRACTOR

FILTERS



05.100.03

01

p1

3/2018

FILTERS

REF FN	PART NUMBER	YR/SN	QTY DESCRIPTION
1	87415600		1 ENGINE OIL FILTER Spin-On
2	87300039		1 FUEL FILTER Kit, 47720060 Contains This Filter and one each of O-ring SBA052100100 And SBA052100400
3	SBA360720070		1 FUEL FILTER In-Line
4	SBA314531174		1 AIR FILTER Outer
5	SBA314531175		1 AIR FILTER Inner
6	SBA340501030		1 FILTER W/Bypass
6	SBA340500980		1 HYDRAULIC OIL FILTER W/Bypass, For Cold weather Operation
7	84401812		1 HYDRAULIC OIL FILTER Pump

TZ24DA-3 CYL COMPACT TRACTOR

**Thanks very much for your reading,
Want to get more information,
Please click here, Then get the complete
manual**

JustClickHere 

NOTE:

**If there is no response to click on the link above,
please download the PDF document first, and then
click on it.**

**Have any questions please write to me:
admin@servicemanualperfect.com**